

PRODUCT INFORMATION PACKET



Model No: SD6S20TCN61YET1

Catalog No: LM28212

..20HP..1200RPM.286TC.ODP.230/460V.3PH.60HZ.ELEVATOR.40C.1.0SF.C FACE.....NOT.....
Elevator Duty

Regal and Leeson are trademarks of Regal Beloit Corporation or one of its affiliated companies.

©2018 Regal Beloit Corporation, All Rights Reserved. MC017097E



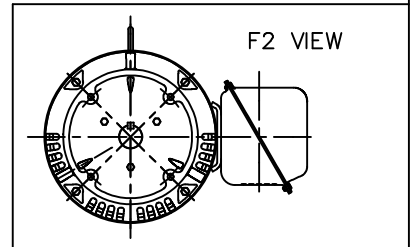
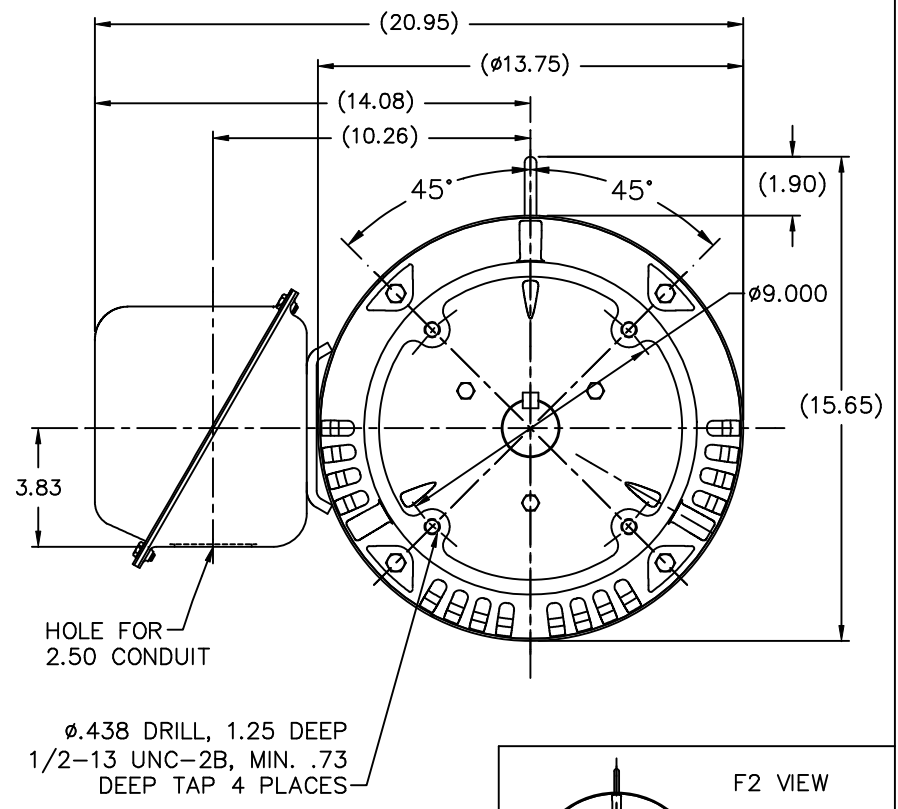
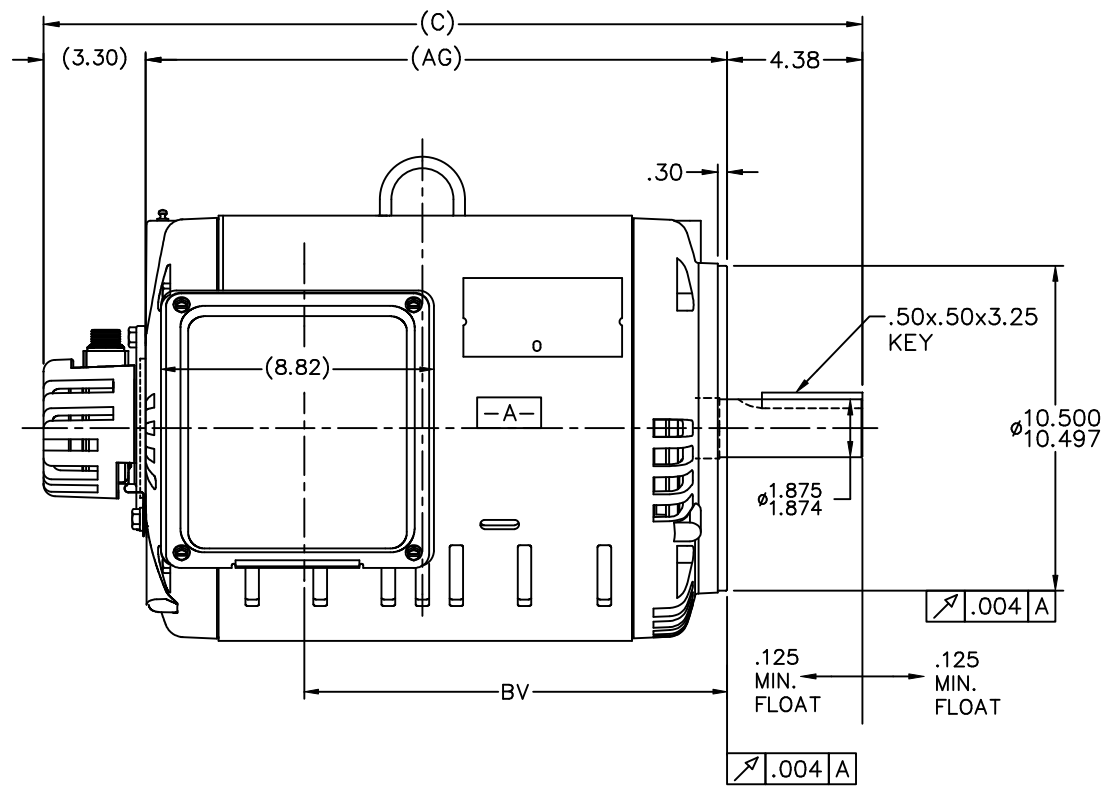


Nameplate Specifications

Output HP	20 Hp	Output KW	14.9 kW
Frequency	60 Hz	Voltage	230/460 V
Current	61/30.5 A	Speed	1182 rpm
Service Factor	1	Phase	3
Efficiency	85.5 %	Duty	SPECIAL
Insulation Class	F	Design Code	INV
KVA Code	L	Frame	286TC
Enclosure	DP	Overload Protector	NOT
Ambient Temperature	40 °C	Drive End Bearing Size	310
Opp Drive End Bearing Size	209	UL	Recognized
CSA	Y	CE	Y
IP Code	22		

Technical Specifications

Electrical Type	SQ CAGE INV DUTY	Starting Method	Y START D RUN OR INV
Poles	6	Rotation	REV
Mounting	ROUND	Motor Orientation	HORIZONTAL
Drive End Bearing	BALL	Opp Drive End Bearing	BALL
Frame Material	ROLLED STEEL	Shaft Type	T
Overall Length	27.97 in	Frame Length	14.48 in
Shaft Diameter	1.88 in	Shaft Extension	4.62 in
Assembly/Box Mounting	F1/F2 CAPABLE		
Outline Drawing	XF3D1EC33B-1448	Connection Diagram	A-EE7308BZ-LN

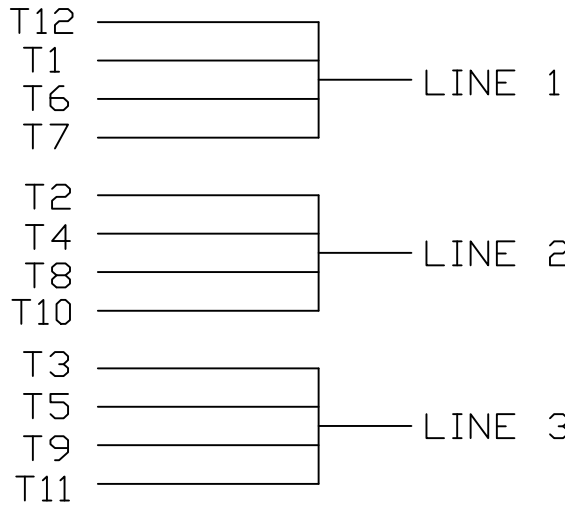


- NOTES:
1. CONDUIT BOX CAN BE ROTATED IN 90° STEPS.
 2. NAMEPLATES TO BE READ FROM CONDUIT BOX SIDE OF MOTOR.

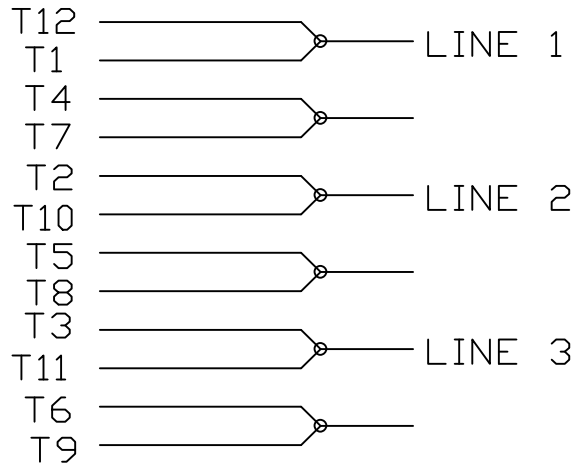
DASH	FRAME	C	AG	BV
1298	284TC	26.47	18.79	13.66
1448	286TC	27.97	20.29	15.16

				TOLERANCES UNLESS SPECIFIED		Lincoln MOTOR		DRAWN CTO 11-20-2002		
				DEC.	INCHES			CHK	DRS 12-03-2002	
				.X	±.1			APPD	HNH 12-03-2002	
				.XX	±.02	TITLE OUTLINE - IH950 ENCODER		SCALE	1=4	
				.XXX	±.005	VVVF ELEVATOR HOIST MOTOR 280TC ODP		REF		
1	NEW DRAWING	MU43624	CTO 12-03-2002	HNH	±.0005	MATL.		FMF		
NO.	REVISION	BY & DATE	CHK	ANG	FINISH			PREV		
			RFP	±7'30"		CAD FILE xf3d1ec33b				
THIS DRAWING IN DESIGN AND DETAIL IS OUR PROPERTY AND MUST NOT BE USED EXCEPT IN CONNECTION WITH OUR WORK ALL RIGHTS OF DESIGN AND INVENTION ARE RESERVED THIS IS AN ELECTRONICALLY GENERATED DOCUMENT - DO NOT SCALE THIS PRINT							SIZE	DRAWING NO.	PAGE OF	REV.
							B	XF3D1EC33B	1	1

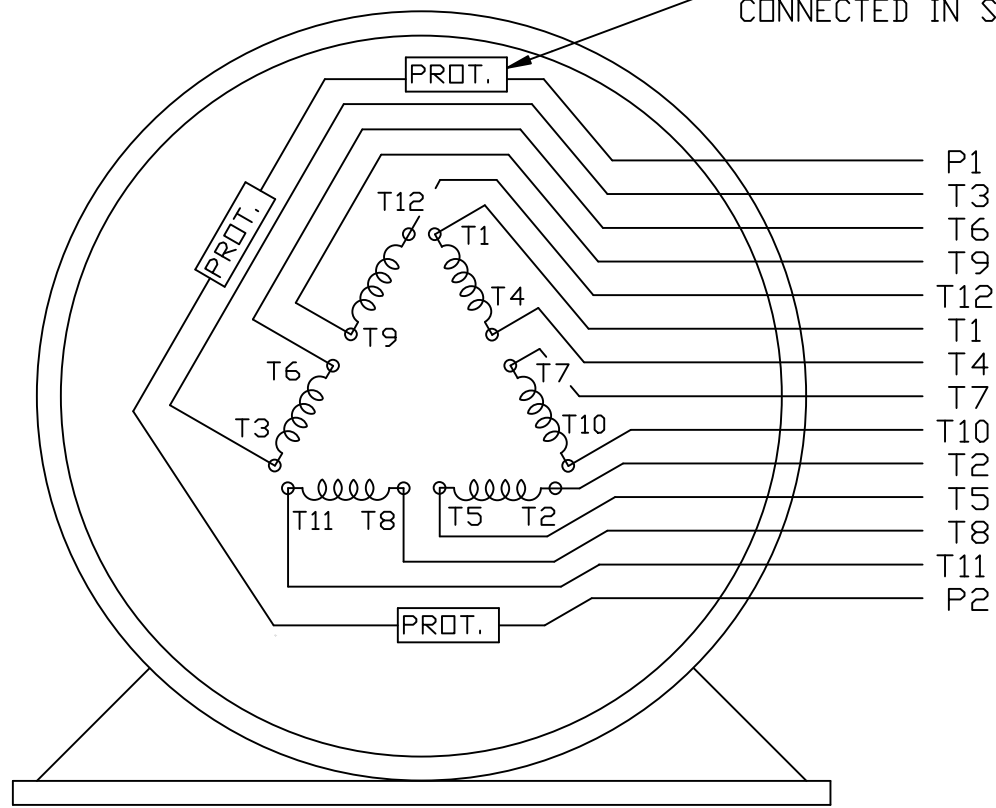
LOW VOLTAGE



HIGH VOLTAGE



THERMO - PROTECTORS
CONNECTED IN SERIES.



					✓ UNLESS OTHERWISE SPECIFIED DIMENSIONS ARE IN INCHES TOL. ON XX± XXX± XXXX± ANGLES±				
2	08/17/2011	REMOVED NOTE '12 LEADS SINGLE VOLTAGE'	MU103768		RFH	MAX. SURFACE ROUGHNESS UNLESS OTHERWISE NOTED		DRAWN BY KL	12-11-2000
1	12-11-2000	NEW DRAWING	MU34925		KL	FINISH		CHKD BY DJK	12-11-2000
REV	DATE	CHANGE			NAME	MATERIAL		APPD BY DJK	12-11-2000
					PART NAME EXTERNAL CONNECTION DIAGRAM 3 PHASE - 2/1 DELTA - 12 LEADS				
					PURCHASED		CADD FILE NO.		EE7308BZ-LN